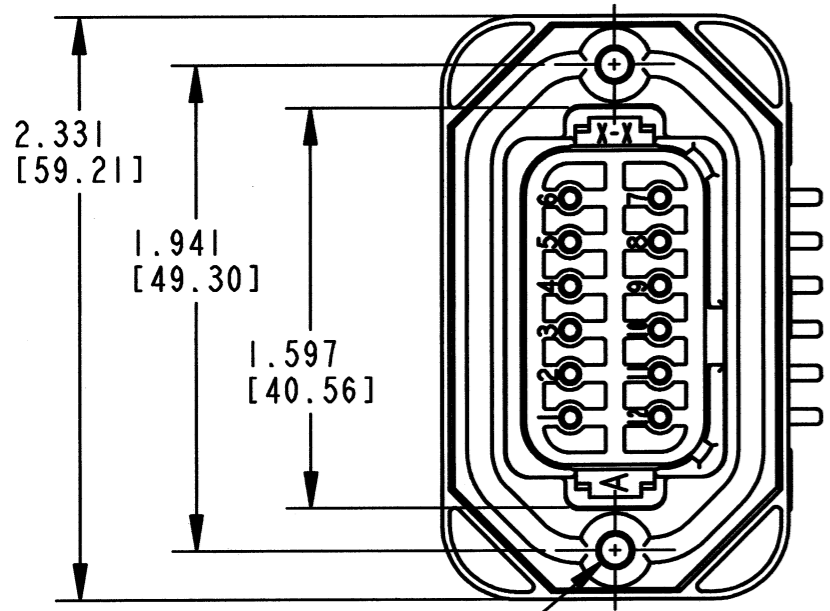
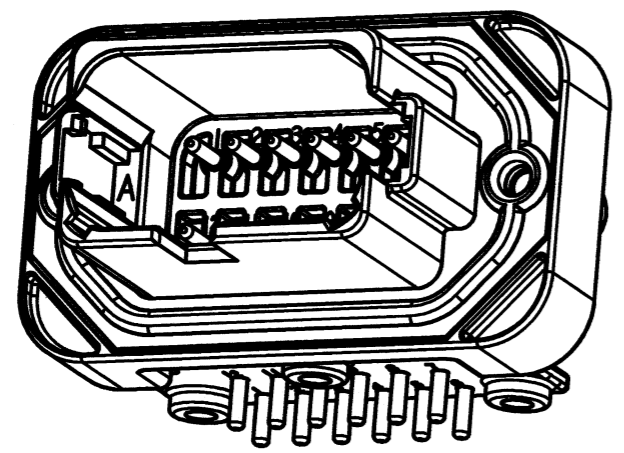


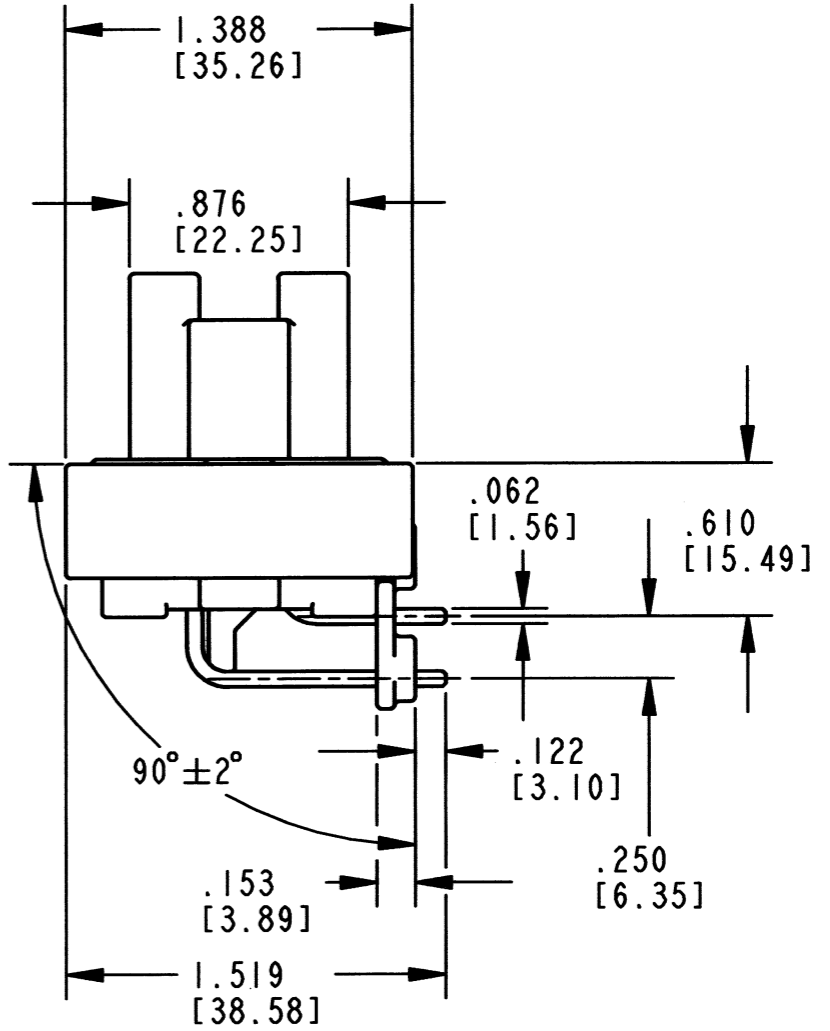
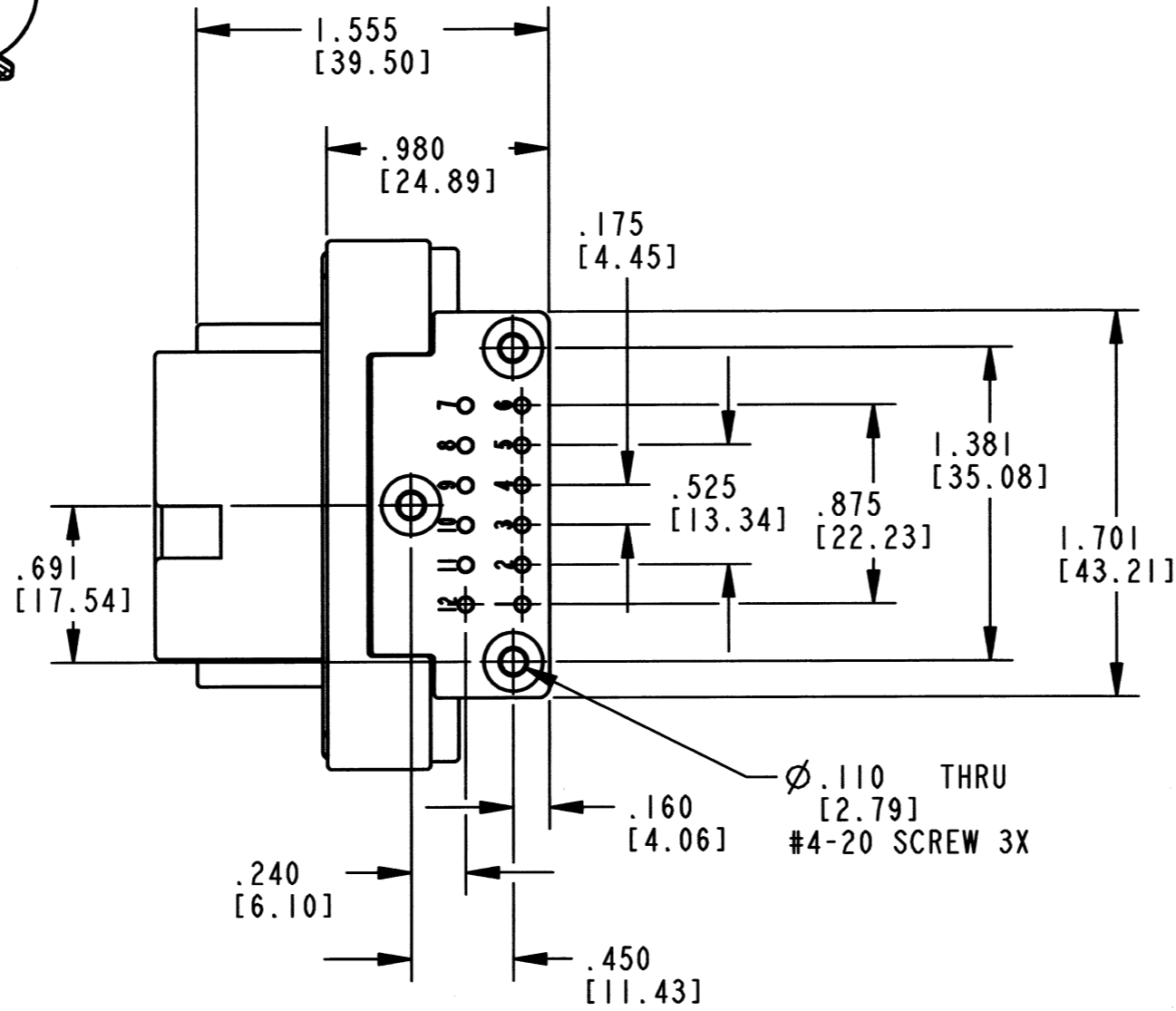
REV
B DT13-12P*-B016

REVISIONS			
SYM	DESCRIPTION	DATE	APPROVED
NC	NEW RELEASE PER E.O. P17615	4/7/02	R.D.R.
A	REVISED PER E.O. P19196	6/13/06	R.D.R.
B	REVISED PER E.O. P21065	8-26-11	RDR

3D VIEW



Ø.122 [3.10]
BLIND HOLE
▽.440 [1.18]
#6-19 SCREW 2X



- NOTES:
- DIMENSIONS SHOWN IN INCHES [MILLIMETERS].
 - DIMENSION TOLERANCE ±.025 [0.64]. FOR PANEL CUTOUTS ±.010 [0.25].
 - SHELL MATERIAL: PLASTIC; FLANGE SEAL MATERIAL: RUBBER.
 - THIS RECEPTACLE MATES WITH DT06-12S* PLUG -****- ALL MODIFICATIONS.
 - RECOMMENDED TORQUE VALUES ARE AS FOLLOWS: #6-19 SCREWS: 10-20 IN LB. [1.13-2.26 N-m] #4-20 SCREWS: 6-10 IN LB. [0.68-1.13 N-m]
 - MOUNTING HOLES WILL ACCEPT CAMCAR PLASTITE SELF THREAD SCREWS (NOT INCLUDED). EXAMPLE: #6-19, #4-20.

SIGNATURE & DATE	
DR	P. BURKE 04/03/02
CHK	<i>[Signature]</i> 8/26/10/11
PE	<i>[Signature]</i> 8/15/11
APPD	<i>[Signature]</i> 8/15/11
SCALE	NONE WT

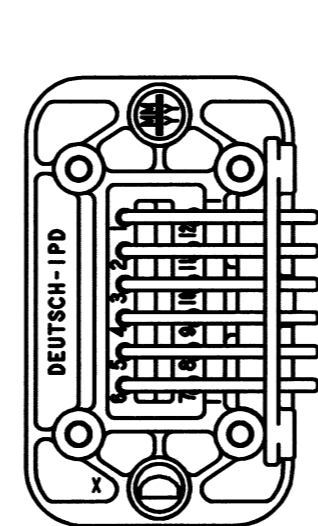
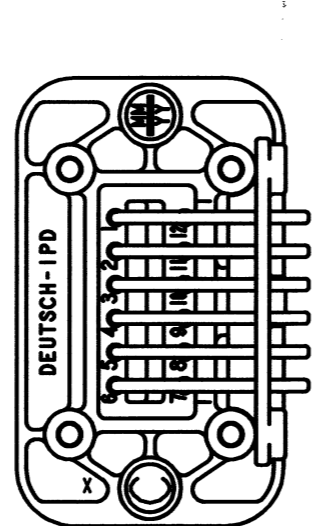
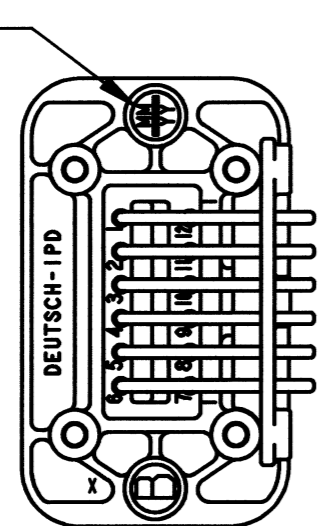
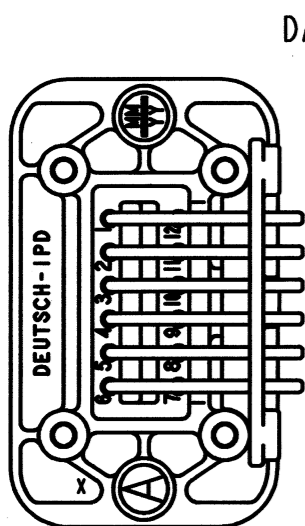
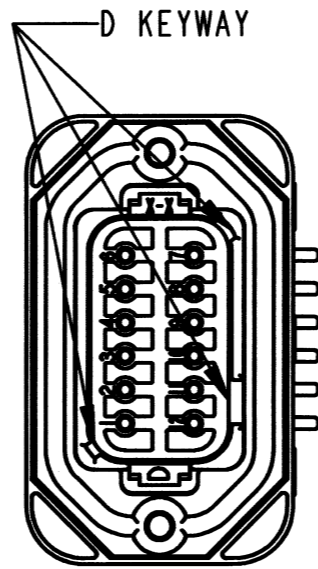
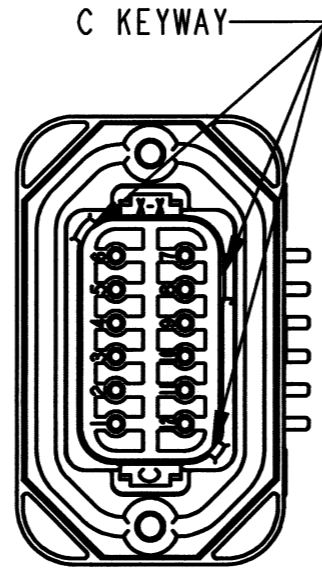
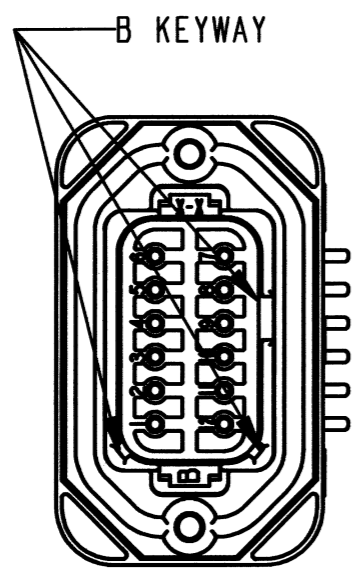
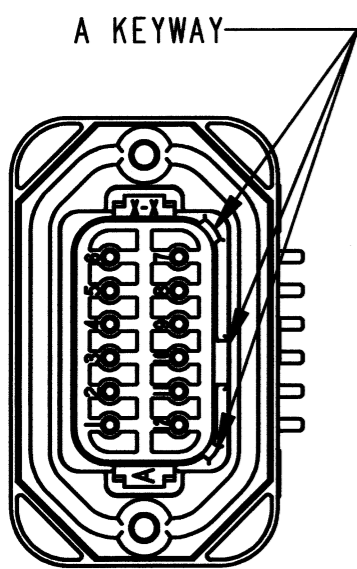
PCB MOUNT RECEPTACLE
12 PIN 90° TAILS
B016 MOD
DT SERIES

ENVELOPE

EP	MATL. CODE
3850 INDUSTRIAL AVE. HEMET, CA 92545	
B DT13-12P*-B016	
DWG SIZE	CODE 11139 SHEET 1 OF 2

REV
B DT13-12P*-B016

REVISIONS			
SYM	DESCRIPTION	DATE	APPROVED
B	SEE SHEET ONE	8-26-11	SB

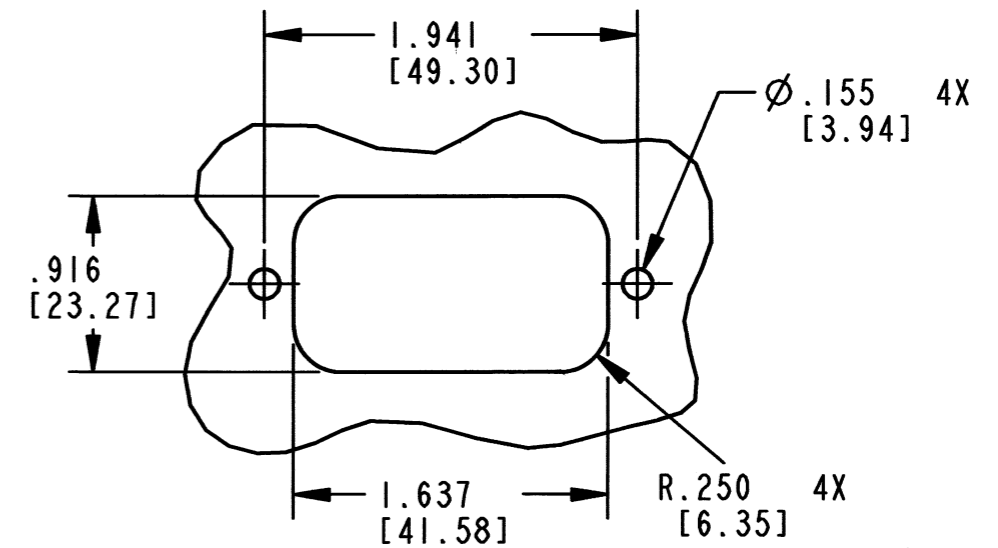
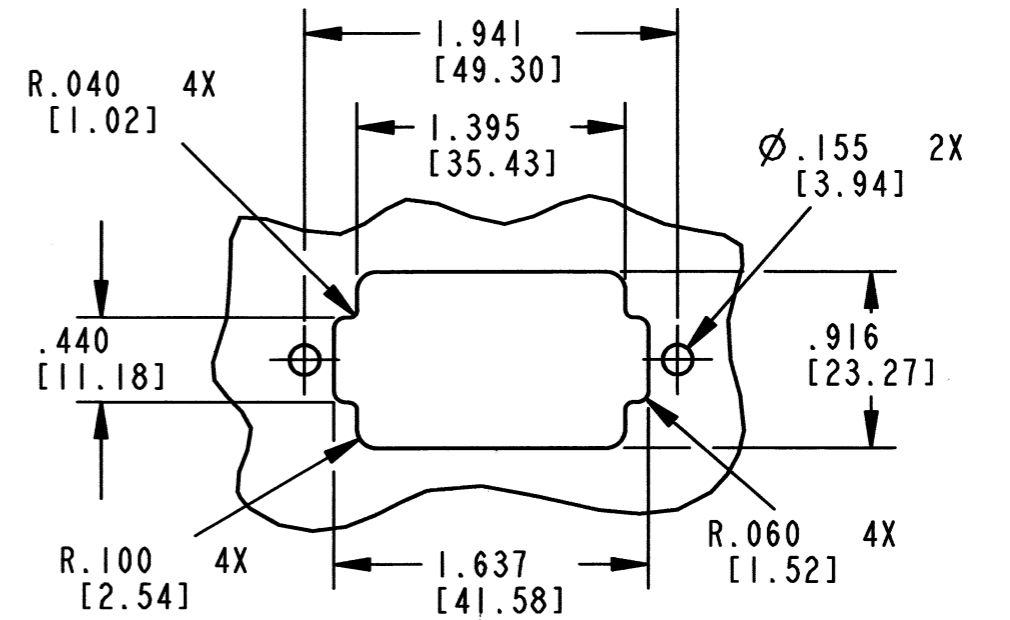


DT13-12PA-B016
COLOR GREY

DT13-12PB-B016
COLOR BLACK

DT13-12PC-B016
COLOR GREEN

DT13-12PD-B016
COLOR BROWN



RECOMMENDED PANEL CUTOUTS



NOTES:

SIGNATURE & DATE	
DR	P. BURKE 04/03/02
CHK	<i>[Signature]</i> 8/26/2011
PE	<i>[Signature]</i> 8/15/11
APPD	<i>[Signature]</i> 8/25/11
SCALE	NONE WT

PCB MOUNT RECEPTACLE
12 PIN 90° TAILS
B016 MOD
DT SERIES

ENVELOPE

EP	MATL. CODE
3850 INDUSTRIAL AVE. HEMET, CA 92545	
B DT13-12P*-B016	
DWG SIZE	CODE 11139 SHEET 2 OF 2